

# High Bright Carry-on Director Monitor

15.6"/21.5"



## User Manual

### Foreword

Thank you for purchasing our high bright carry-on director monitor. Please read this manual carefully before using the unit. Have a great experience!

### Caution

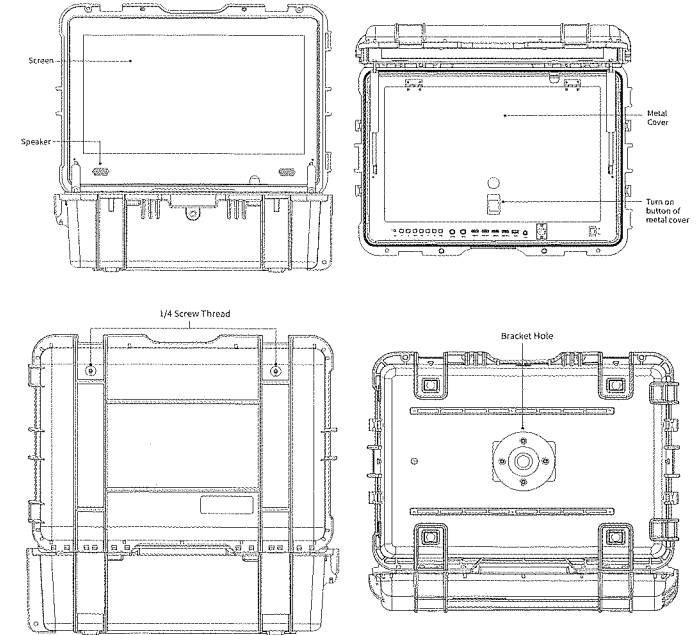
1. Please use the adapter attached in the accessory. If necessary, please use qualified adapter.
2. Please avoid the device falling down from a high place and cause equipment damage during using.
3. The screen of this product is made of glass. Please do not drop the screen towards the ground. Keep away from injury if the screen is broken.
4. Although the device has anti-collision protection, severe collisions should also be avoided.
5. Please do NOT use chemical solutions to clean this product. Please wipe the monitor with a clean soft cloth to maintain the brightness of the surface.
6. To avoid damaging the product, please do not take apart or repair the unit by yourself without adjustable component in the unit.

### Key Features

- Portable waterproof case, easily cope with various harsh shooting environments
- 1920x1080 full HD IPS screen
- Intuitive buttons + new menu interface, more convenient to operate
- Support 3D LUT Log to REC.709 and user 3D LUT upload (up to 32)
- With Waveform, Vectorscope, RGB Histogram, Focus Assist, Monochrome etc. functions, can help you accurately exposure and focus every shot.
- Stereo Earphone output, built-in speaker
- With multiple 1/4 screw thread, can be mount wireless transmission and other device.

- The bottom of case built-in metal bracket, can mount the monitor on the tripod
- Multiple power supply ways (DC IN, XLR, V-mount battery plate)

### Product Structure



Resolution	1920x1080	1920x1080
Dot Pitch	0.179125 (H) x 0.17925 (V)	0.24795 (H) x 0.24795 (V)
Aspect Ratio	16:9	16:9
Brightness	1000cd/m <sup>2</sup>	1000cd/m <sup>2</sup>
Contrast	800:1	1000:1
Viewing Angle	85°/85°(L/R) 85°/85°(U/D)	89°/89°(L/R) 89°/89°(U/D)
Backlight	LED	
Input	2*HDMI, 1*SDI (optional), 1*USB2.0	
Output	2*HDMI, 1*SDI (optional)	
Audio	3.5mm Stereo Headphone, Speakers	
Input Voltage	DC: 12~24V	
Power Consumption	≅ 25W	≅ 32W
Unit Size	479x387x210 (mm)	596x440x240 (mm)
Unit Weight	About 9.8kg	About 14.8kg
Install Way	1/4-20 mount points (top, right)	
Waterproof Level of Case	IP67	
Material of Case	PP Alloy	
Working Temperature	-0°C ~ 50°C	
Storage Temperature	-20°C ~ 60°C	

Please scan below QR code to download more detailed instructions



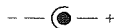
			decreasing the parameter value
⑧	HDMI signal input 1	⑱	3.5mm earphone jack
⑨	SDI signal input (optional)	⑲	Power indicator
⑩	SDI signal output (optional)		

### Power Input Way

There are three ways of power supply to our monitor:

#### a. Powered by the direct plug-in power input port supply.

Please select DC power plug supply and the polarity is as image below:



#### b. Via 4 pin XLR interface power supply, to share power with the camera or via power adapter input.

Polarity of the 4-pin XLR power input as below image, please note the polarity of the power input, otherwise it may damage monitor.



Pin number	Signal
1	GND
2	No connection
3	No connection
4	+12V

#### c. The monitor attached V-shape battery plate can be install battery to supply the power.

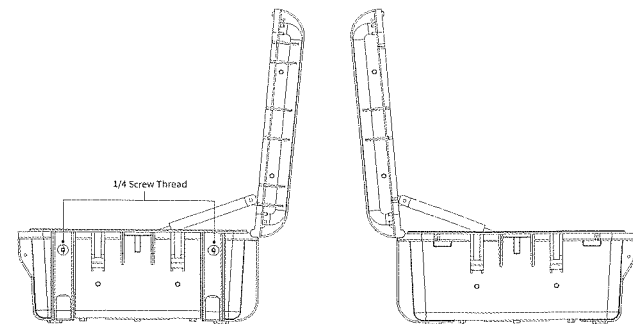
**Remark:** The battery is excluding. According to the different specification of the battery, the capability is different, and the working time for the monitor will be different. Higher capability (working time) will be longer.

Without the charging circuit design for the monitor, please remove the battery to charge with the battery charger.

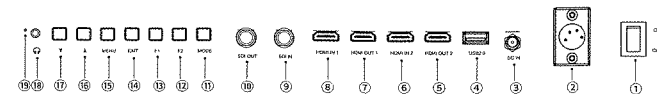
**Suggestion:** Better to remove the battery if don't use this product in a long time.

### Parameters

Panel Size	15.6"	21.5"
------------	-------	-------



### Interface and Button Instruction



①	Power Turn ON/OFF	⑪	Signal switching
②	XLR power connector	⑫	Custom shortcut key
③	DC power input	⑬	Custom shortcut key
④	Firmware update/LUT file import interface	⑭	Return/exit menu button
⑤	HDMI signal output 2	⑮	Main menu/confirm button
⑥	HDMI signal input 2	⑯	Selecting the upper level menu/ increasing the parameter value
⑦	HDMI signal output 1	⑰	Selecting the next level menu/