

Authorized Exclusive Distributor



# Z1-Proud

3-axis handheld stabilizing gimbal for GOPRO

## Instruction Manual

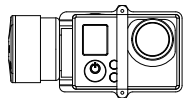
Manufactured by Zhiyun Tech



V1. 00

## Package Content

3-axis handheld camera stabilizer	1
Camera Holder	1
M2.5x 9mm Thumb Screw	2
M2.5x19mm Thumb Screw	2
Gopro Charging Wire	1
18650 Lithium-ion Battery Charger	1
18650 Lithium-ion Battery	2
Micro USB Charger Cable	1
Warranty Card	1
Certificate	1
User's Manual	1



### Note:

Install the GOPRO before connecting power.

Camera Holder

Gopro3

To use the M2.5x9mm Thumb Screw for GOPRO only.

Camera Holder

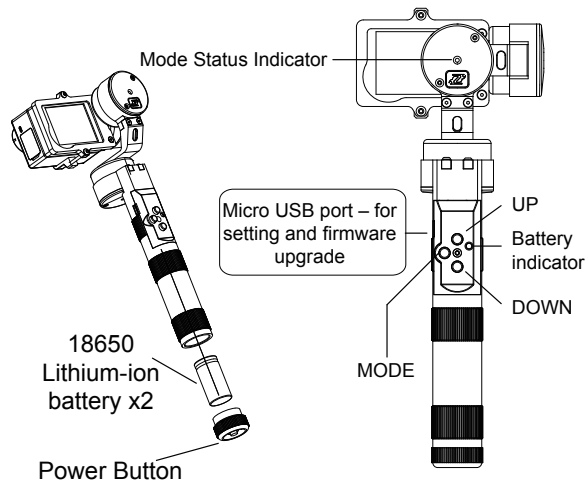
Gopro3

Gopro LCD BacPac

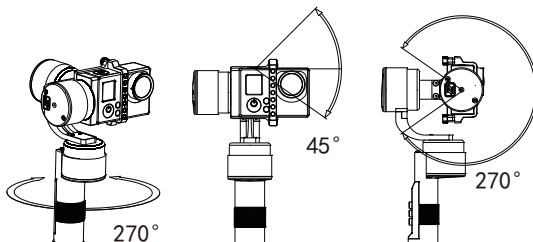
Camera Charging port

To use the M2.5x19mm Thumb Screw for GOPRO with LCD BacPac.

1



### Different Rotation Angle



2

## Different Modes Instruction

- Heading Following Mode (Default): Pitch and roll are locked. Heading rotates smoothly follow the direction of the handheld.
- Locking Mode: Heading, pitch and roll are locked.
- Heading and Pitch Following Mode: Roll is locked. Heading and pitch rotate smoothly follow the direction of the handheld.

Buttons and Modes Instruction		
Working Mode	Mode Indicator	Down/Up Button
Heading Following Mode	Blink slowly	Pitch adjustment
Locking Mode	Light up	Pitch adjustment
Heading and Pitch Following Mode	Blink quickly	Roll adjustment

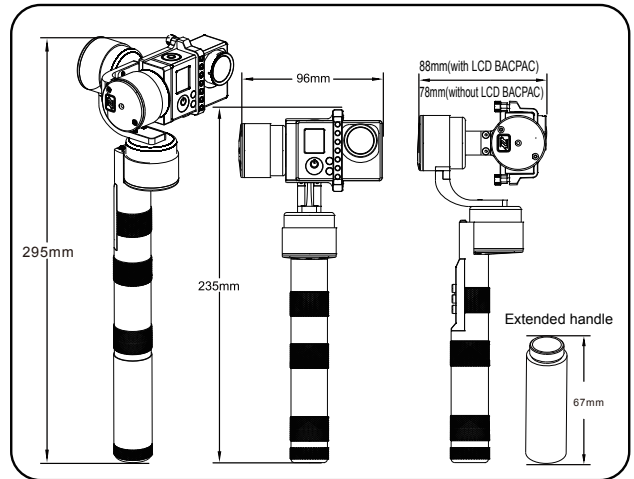
Battery Indicator Instruction	
Battery Indicator Status	Description
Blink 4 times	100% Power
Blink 3 times	75% Power
Blink 2 times	50% Power
Blink 1 times	25% Power

Note: If the battery indicator blinks continually, the battery is out of power. Please charge the battery as soon as possible.

### Operation:

- Power Switch : Install the battery and press the power button, the stabilizer will in standby mode after five seconds. Press the power button again to cut off power.
- On/Off : After connecting to power, long press "MODE" for 1 second to switch standby mode/ working mode.
- Mode Switch : In working mode, press "MODE" to switch Heading Following Mode/ Locking Mode. Press "MODE" 2 times to turn on Heading and Pitch Following Mode; press "MODE" again to turn on previous mode.
- Angle Adjusting : User can adjust the pitch/roll angle through UP / DOWN buttons.
- Calibration : calibrate the gyro and accelerator if: 1. Horizontal angle offset; 2. Operate again after a long time; 3. Transit the device under different temperature.

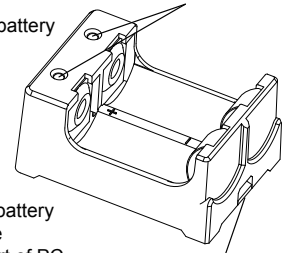
③



### Rechargeable Battery

Battery type: 18650 Lithium-ion battery  
Capacity: 2000mAh  
Charge Time: 3 hours

Charger indicator  
(The signal will show green once finish charging)



### Note:

For connecting power to 18650 battery charger, please prepare portable charger, or connect to a USB port of PC.

Micro USB 5V  
power input port

④

## Specification:

	minimum	standard	maximum	Note
Working Voltage	6.8V	8.4V	12.6V	
Working Current	50mA	120mA	2A	
Follow Accuracy(Motionless)	±0.01°		±0.04°	
Follow Accuracy(Motion)	±0.1°	±0.2°	±0.5°	
Tilt Working Angle	-90°	0°	+180°	Vertical handheld
Roll Working Angle	-45°	0°	+45°	
Heading Working Angle	-135°	0°	+135°	Vertical handheld
Heading Working Angle	-45°	0°	+45°	Leveled handheld
Tilt Speed	1°/S		50°/S	
Heading Speed	1°/S		80°/S	
Battery Operation Time(25°C)	7h	10h	12h	2000mAh×2
Operation Temperature	-20°C	25°C	45°C	
Weight		335g		without battery and camera

### Note:

Please don't operate the handheld gimbal over working range; the handheld gimbal would be in self-protection mode, and the operation would be effected.

⑤

This device has been calibrated by the manufacturer. Warranty void if disassemble any components.

We reserve the right of final explanation and revision of the instruction manual. For the latest version, please refer to official website.

For user instruction, firmware upgrade, and more information:

[www.zhiyun-tech.com](http://www.zhiyun-tech.com)

Authorized Exclusive Distributor  
**Standard Tech Operation**

Manufactured by Zhiyun Tech



⑥

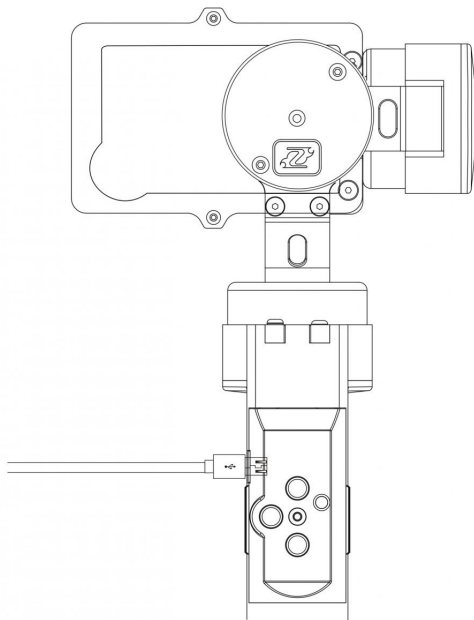
The calibration is applicable to Z1-Pro(GY-3DH), Z1-Rider, Z1-Proud, Z1-Smooth.

Before the first operation, please calibrate the gimbal.

Calibration is needed if the gimbal:

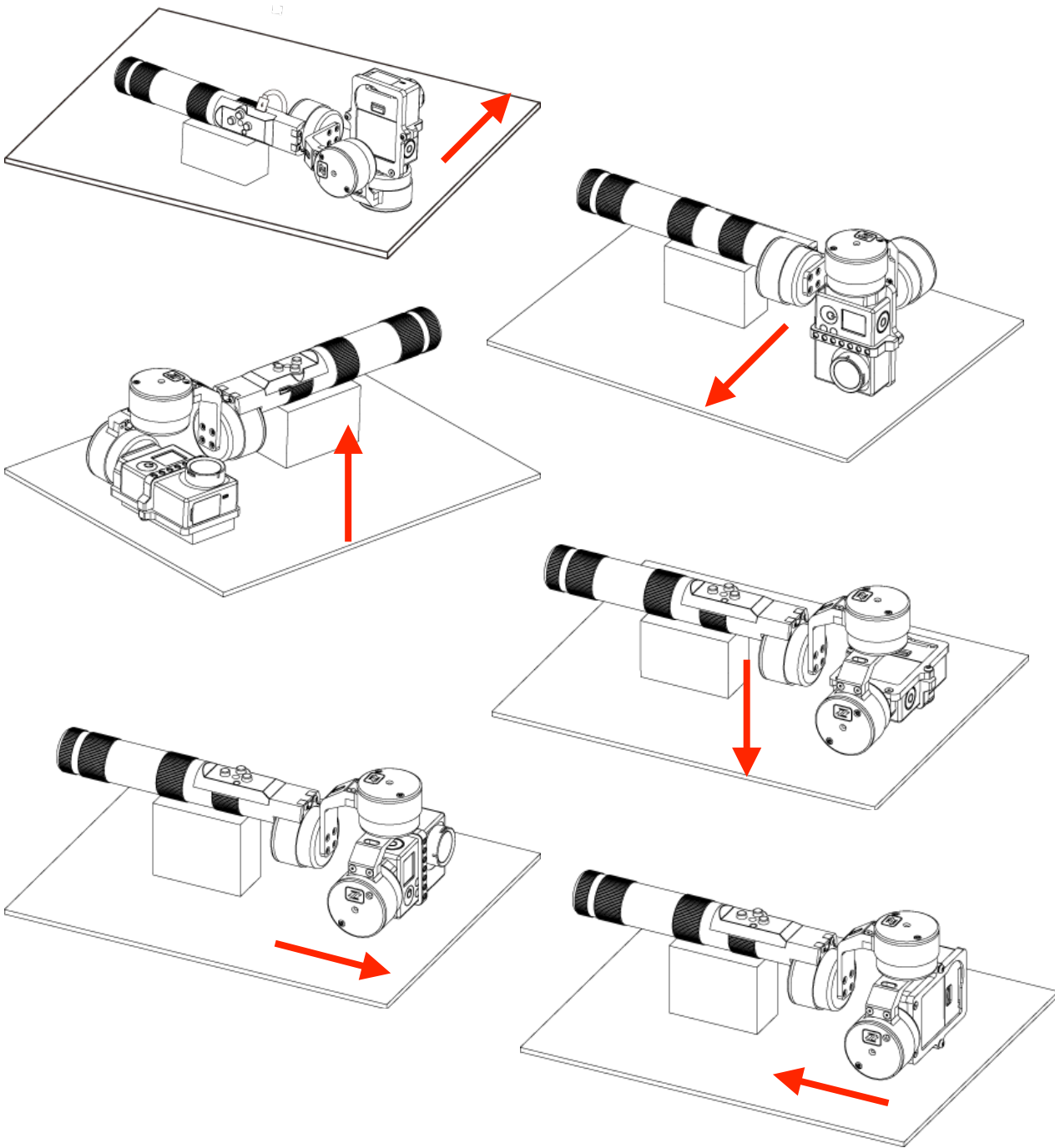
- is not leveled while activating
- is not activated after a long time
- is transported under different temperature.

1. Download and install the Silicon Labs [CP210x VCP](#) USB driver
2. Download and install the [Gimbal tools software](#) v1.0.6.
3. Connect the gimbal to PC through USB cable.
4. Check if the PC recognize the USB chip.
5. Press the power button. Do not turn on the gimbal.
6. Start the Calibration Software.
7. Calibration Software will recognize the port automatically. If not, start at step 4
8. Select the product type.
9. Click "Open Port" button. The gyro parameter will be indicated, and the "Calibration" button will be highlighted. ( If not, please re-install the driver or try a different PC.)



Serial port

Click "Calibration" to calibrate gyro and accelerator. Place the gimbal according to the picture below. It will take few seconds to process; if not, adjust the gimbal orientation.



After the six orientations steps, the screen will show a V mark. The calibration is done. Please disconnect the USB cable and power off the gimbal. Restart the gimbal, wait for 10 second, and check if camera is leveled. If failed, please calibrate again.



If the screen show a X mark, please calibrate again.

# Firmware upgrade

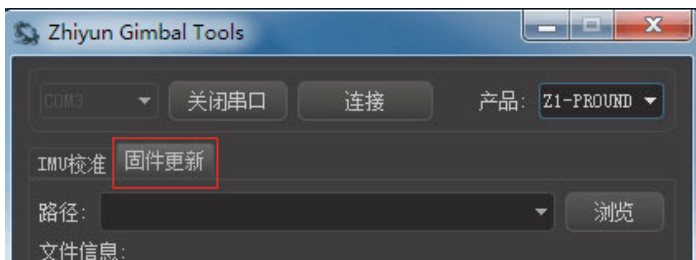
Click Open Serial Port button.



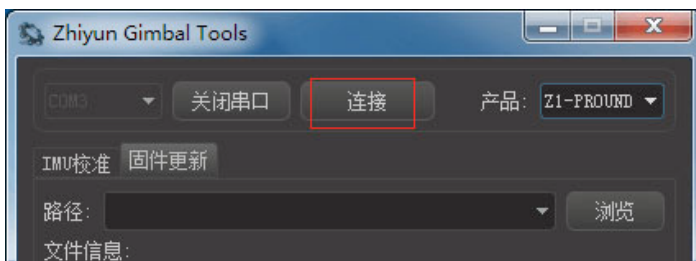
Select the corresponding product type in Product.



Select Firmware Upgrade.



Click Connect button.



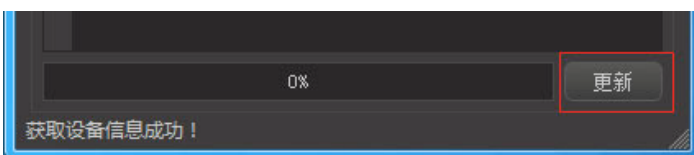
After successful connection, the software will show the used firmware version of product.



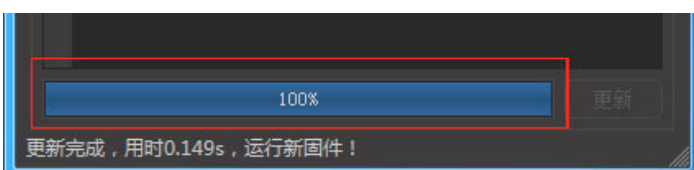
Click the BROWSE button to select the product corresponding firmware file (.ptz)



Click Update button to start firmware update.



When the update is complete, click Close Serial Port button to close the update software and pull out USB cable. By now your product is already completed firmware upgrade.



Links: <http://www.zhiyun-tech.com> <http://www.standard-tec.com/> <http://www.infinity-hobby.com>