
Nova M3 MFN300 Function Box Specifications

Ver 2.0.0 2014-2-20

1 Functions



Nova M3 MFN300-B is a multi-function box with a variety of auxiliary functions. It has the following characteristics:

- 1) RS232 serial or Gigabit Ethernet port communication;
- 2) Support Ethernet port connection between two receiving cards or at the end;
- 3) Has timer function, can replace timer and delayer;
- 4) Support temperature detection of power distribution box;
- 5) Support humidity detection of power distribution box;
- 6) Support audio output;
- 7) Support 2-way light sensor connection, achieve automatic brightness

adjustment;

- 8) Support Temperature and humidity module connection;
- 9) Supports 8-way power switch control;

2 Dimensions and interface

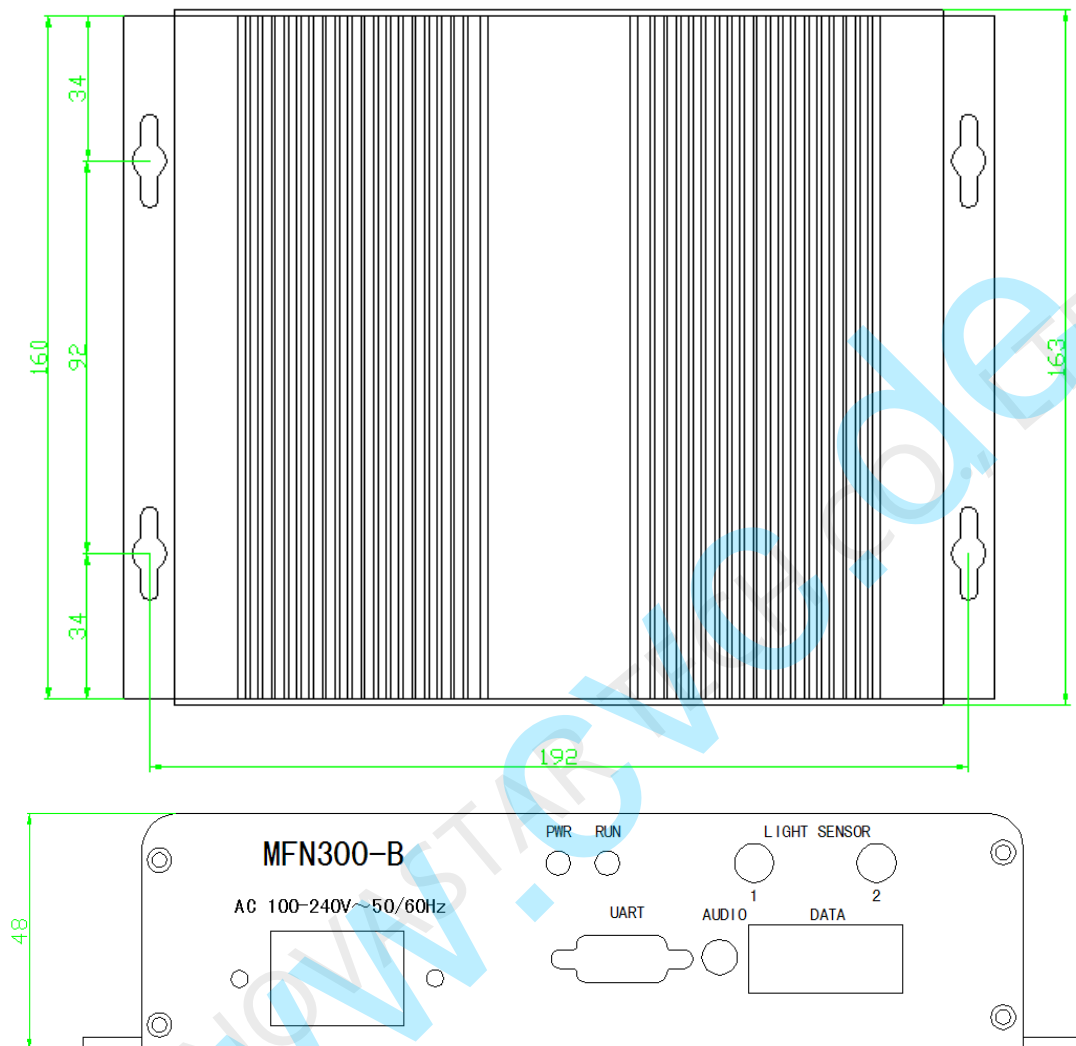


Fig. 1 MFN300-B dimensions

LIGHT SENSOR: Light sensor interface, Temperature and humidity module interface.

UART: RS232.

AUDIO: Audio output.

DATA: Ethernet port , connect to sending board or scan board.

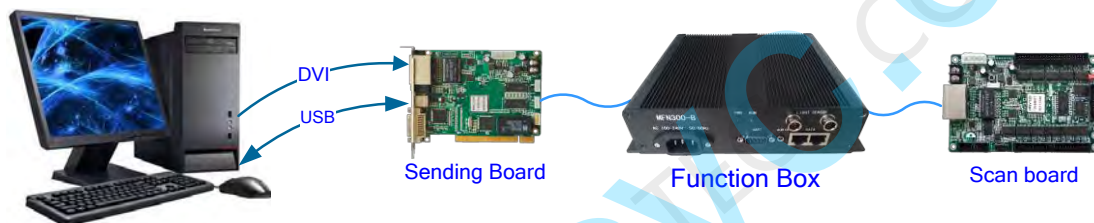
CH1~CH8: 8 road power switch terminal.

3 Connection

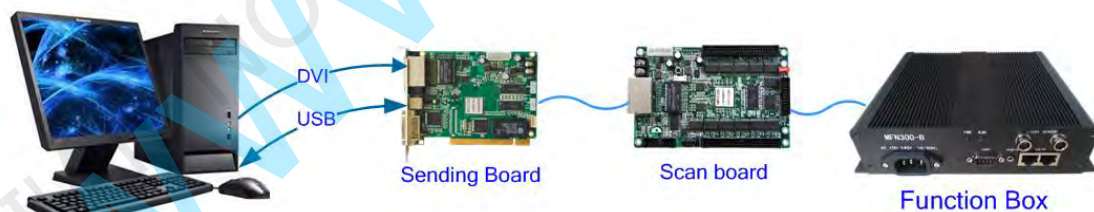
- Connect function box to computer directly by RS232 serial cable.



- Connect function box between sending card (or independent controller) and the first receiving card.

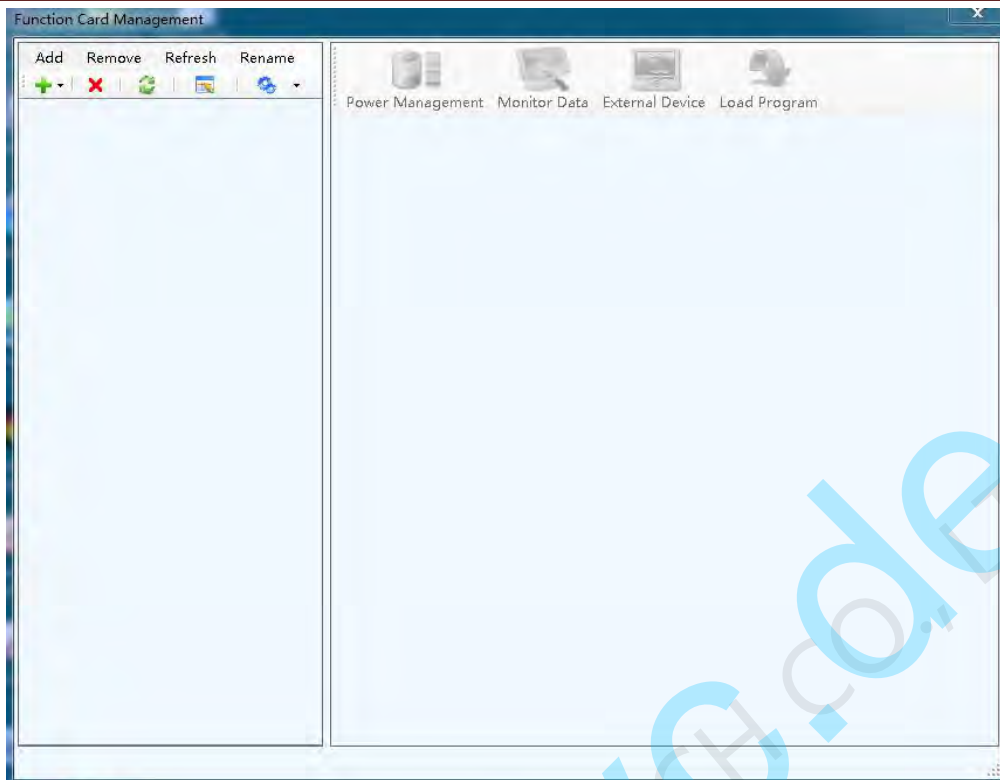


- Connect function box to the last receiving card.



4 Software configuration

Run **NovaLCT-Mars** control software, click **Function Card** button to open Function Card Management page.



Use the menu in above Figure to configure function card, including add, remove, rename a function card, modify serial port, and replace serial port.

Add:

- **Serial port:** Add a function card which is connected to the serial port.
- **Ethernet port:** Add a function card which is connected to the Ethernet port.

Remove: Remove the selected node which could be a function card, Ethernet port, sending card or serial port.

Rename: Rename the selected function card.

Serial port operation:

Click  icon to select Modify Serial Port or Replace Serial Port.

- **Modify Serial Port:** Set the selected serial port as one that no function card has been configured for it.
- **Replace Serial Port:** replace the selected serial port with the one which is configured but the configured device type is different from that actually connected, or is actually not connected.

Note: The icon is only available when the following requirements are satisfied: The selected node is a serial port; the device connected to it does not match the one configured to it, or the serial port is not connected.

5 Working conditions

Voltage (V)	Rated voltage	5.00	Maximum	5.50	Minimum	3.30
Current (A)	Rated current	0.38				
Power consumption (W)	Rated power consumption	2.00	Maximum	2.50		
Working temperature (°C)			Maximum	75.00	Minimum	-20.00
Working relative humidity			Maximum	0.99	Minimum	0.00
Power management control voltage (V)			Maximum	250.00	Minimum	0.00
Power management control current (A)			Maximum	3.00	Minimum	0.00