

LCD Field Monitor

User Manual



IMPORTANT SAFETY INSTRUCTIONS:

- Please read manual before using this product.
- Please keep manual for future reference.
- Please read the cautions to prevent possible danger and loss of property.
- Please enjoy the benefits of convenience, safety, and space-saving from this TFT LCD monitor in different ways.

FEATURES:

- Metal housing;
- Wide viewing angles;
- Wide voltage: DC 7-24V;
- High brightness: 400cd/m²;
- High contrast: 800:1;
- TALLY interface with indicating light;
- Faster response time;
- Firm & portable design;
- Long F1~F4 keep press to POP-UP shortcut menu.

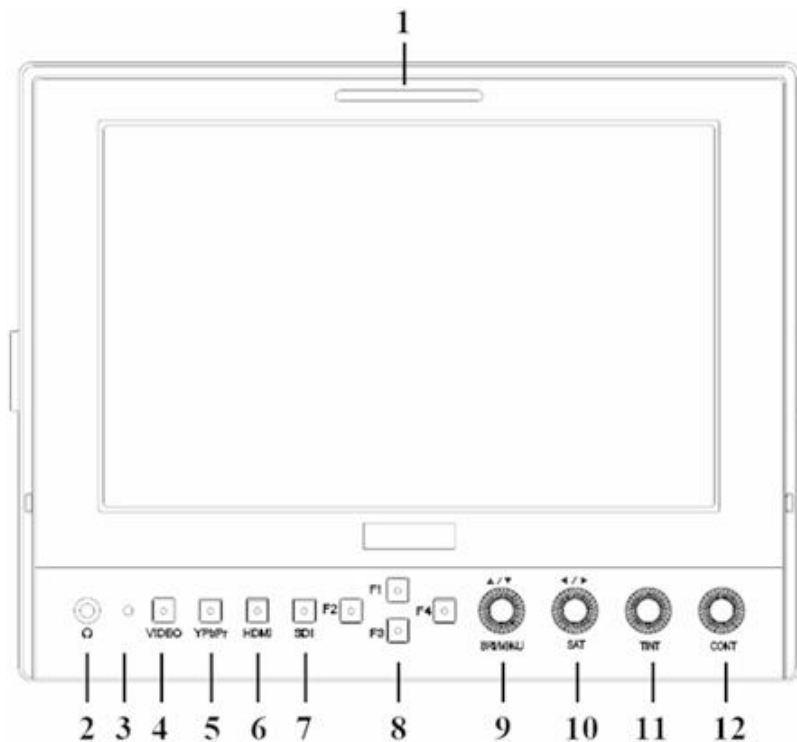
CAUTIONS:

1. Please do not place the display screen towards the ground.
2. Please avoid heavy impact or drop onto the ground.
3. Please do NOT use chemical solutions to clean this product. Please wipe with a clean soft cloth to maintain the brightness of the surface.
4. Please do not block any vent hole.
5. Please follow the instructions and trouble-shootings to adjust the product. Other improper adjustment may result in damage. Any further adjustment must be performed or conducted by a qualified technician.
6. Please unplug the power and remove the battery if long-term no-use, or thunder weather.

Contents

PRODUCT DESCRIPTION	-----
INSTALLATION OF SUNSHADE COVER AND BATTERY PLATE	-----
DV BATTERY MOUNT PLATE	-----
WIRING INSTRUCTIONS	-----
SETTING MENU	-----
ACCESSORIES	-----
PARAMETER	-----
TROUBLESHOOTING	-----

PRODUCT DESCRIPTION



1. TALLY (indicator light).
2. Earphone jack.
3. Power indicator light: ON/OFF (Light turns to red when power on).
4. VIDEO: Indicator lights up when signal switch to video state.
5. YPbPr: Indicator lights up when signal switch to YPbPr state.
6. HDMI: Indicator lights up when signal switch to HDMI state.
7. SDI: Indicator lights up when signal switch to SDI state (optional).
8. F1、F2、F3、F4:User-definable buttons.

Default functions: (function customized to meet your needs)

Button	Items	Options(Loop switch)
F1	Screen Marker	OFF, 95%,93%,90%,88%,85%, 80%
F2	Check Field	OFF, MONO, Red, Green and Blue
F3	Freeze	OFF, ON
F4	Image Flip	H / V / H&V
*F1	Peaking	OFF, Color, Mono
*F2	Waveform/Vector	Y, Vector, R, G, B, Cb, Cr, OFF
*F3	Level Meter	OFF, ON
*F4	Histogram	Y, Color, RGB, OFF

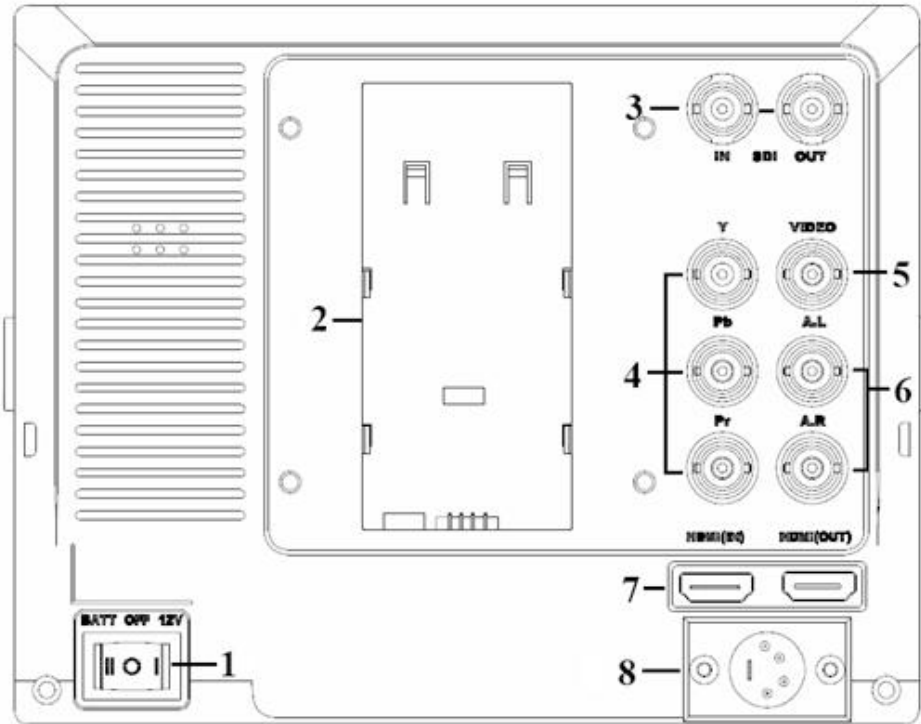
9. Knob BRI/MENU: Press the knob to access the menu function, pressing the knob in the menu to return to the previous page or exit the menu. Rotate knob to select an option.
Default as Brightness function.

- Knob SAT: Press the knob to select main MENU options; rotate knob to confirm the selection and adjust parameter values.

Default as Saturation function.

- Knob TINT: Default as Tint function.

- Knob CONT: Default as Contrast function.



- Battery power on/off switch: “I” is battery power; “O” is power off; “|” is DC power.
- Battery pinch slots.
- SDI signal input / output interface (optional).
- YPbPr signal input interface.
- Audio signal input.
- Audio (L/R) input.
- HDMI (High Definition Multimedia Interface) signal input / output.
- 4-pin XLR DC power input.

	Pin number	Signal
	①	GND
	②	Red Light
	③	Green Light
	④	+12V

INSTALLATION OF SUNSHADE COVER AND BATTERY PLATE

Installation of sunshade cover:

- ① As shown, buckle the sunshade cover on the device.
- ② As shown, cover buttoned into the appropriate slot, and fastened in accordance with the order of the both sides.

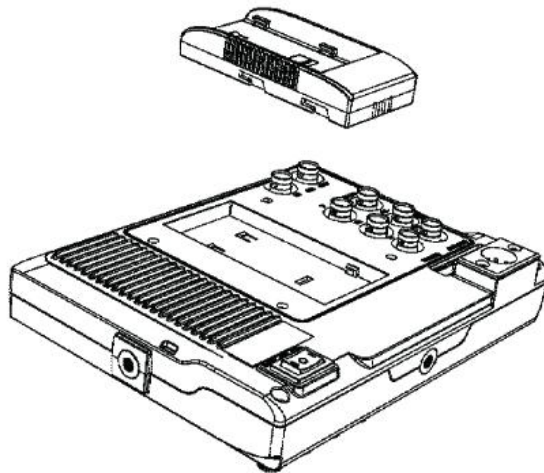


- ③ As shown, bend sunshade panel to meet and paste with sunshade cover interlocking.
- ④ Installation completed.



DV BATTERY MOUNT PLATE:

Standard mounts process



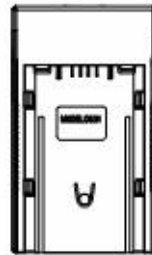
Following three types of battery plates are suitable for this device, model F970, QM91D, DU21 & LP-E6 (choose 2 out of 4).



MODEL: F-970



MODEL: QM91D



MODEL: DU21



MODEL: LP-E6

DV Battery Mount Plate:

DV Battery Mount Plate Specification:

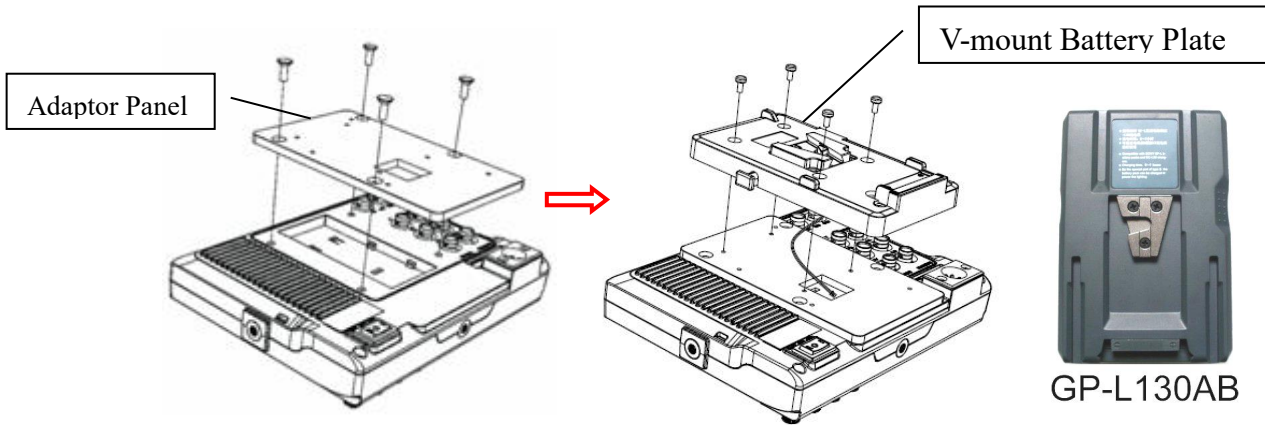
Model DU21 for battery of Panasonic DV:
NV-GS/PV-GS/DZ-MV/GS/H28/H258/H288GK series, comply with
Panasonic battery DU06/VBD140/SANYO DZhs301sw/Hitachi
DZ-HS303SW/BZ-BP14S/DZ3200/BP07W.

Model QM91D for battery of SONY DV:
DSCR1/F/S/MVCCD/E/HC15E/HC1E/AE1u/DCRTRV828/E/CCD-TRV116/
DCR-DVD/PS105K/300K/10P/1E series.

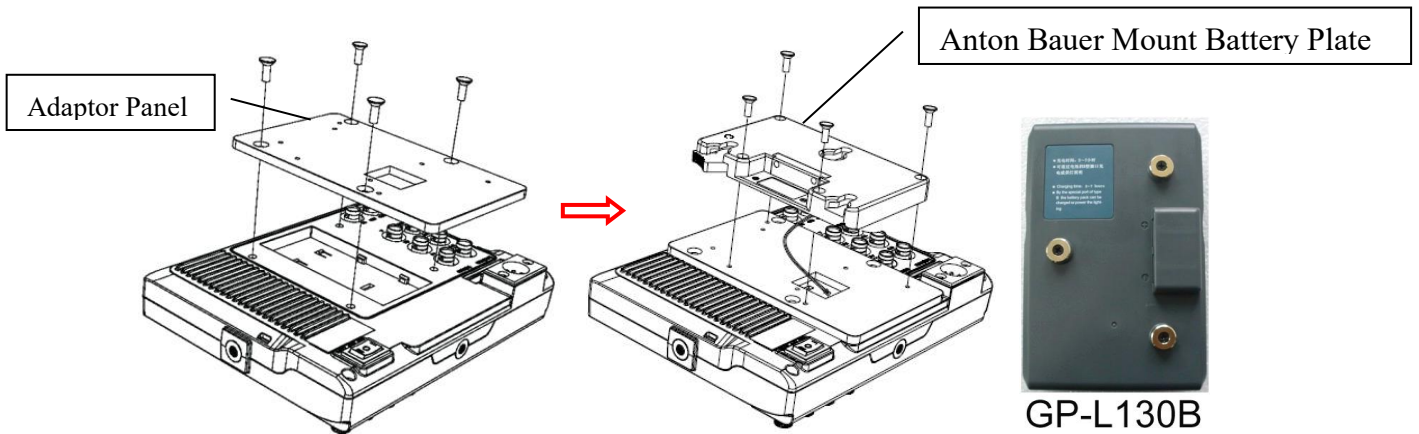
Model F970 for battery of SONY DV:
DCR-TRV series, DCR-TRV E series, VX2100E PD P series, GV-A700,
GV-D800 FD/CCD-SC/TR3/FX1E/HVR-AIC, HDR-FX1000E, HVR-Z1C,
HVR-V1C, FX7E F330.

Model LP-E6 for battery of Canon DSLR:
5D Mark II/EOS7D/EOS60D;

V-mount battery plate (optional): Please refer to GP-L130AB type battery specifications.

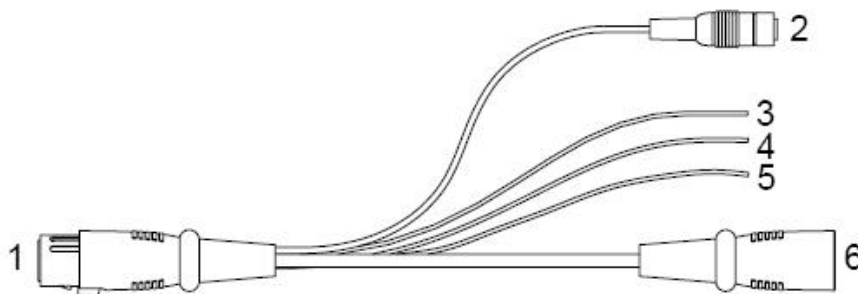


Anton Bauer mount battery plate (optional): Please refer to GP-L130B type battery specifications.



WIRING INSTRUCTIONS

Power & TALLY cable



1. XLR (M) connector: to connect the XLR connector on device.
2. DC Power adapter connector.
3. Red: for TALLY red light connector.
4. Green: for TALLY green light connector.
5. Black: for grounding.
6. XLR (F) connector: for the XLR adapter.

SETTING MENU

Before setting the functions, please make sure the device is connected correctly.

When power on, press BRI/MENU knob on the device, function menus will pop-up on the screen. After confirm the option value, then press BRI/MENU knob to return to the previous, and press the BRI/MENU knob again to exit the menu settings.

BRI / MENU knob: to select an option.

SAT knob to select the main menu, adjusting option values and confirm the selection.



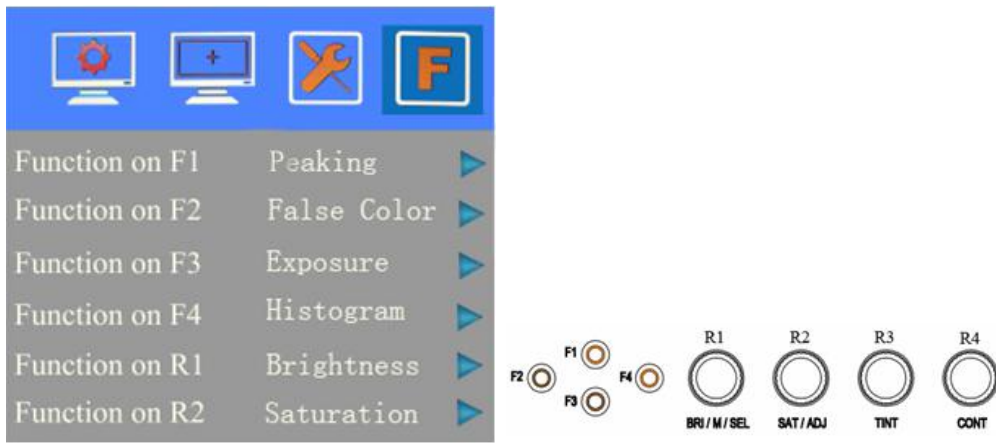
ITEMS	OPTIONS		
Color Temp	6500°K/7500 °K/9300 °K/User		
	R Gain	0-255	Note: Only available under “User” mode to meet the color value you need.
	G Gain	0-255	
	B Gain	0-255	
	R Offset	0-511	
	G Offset	0-511	
	B Offset	0-511	
Check Field	OFF, MONO, Red, Green and Blue		
Aspect Ratio	Full Screen, 4:3 and 16:9		
Pixel-to-Pixel	ON/OFF		
Camera	480P (5DII Mode) / 1080I (5DIII Mode)		
H/V delay	OFF, H&V Delay, V Delay and H Delay		
Underscan	ON/OFF		



ITEMS	OPTIONS
Center Marker	ON/OFF
Aspect Marker	OFF, 16:9, 4:3, 14:9, 13:9,15:9,1.85:1, 2.35:1
Screen Markers	OFF, 95%,93%,90%,88%,85%, 80%
Marker Color	Red, Green, Blue, White, Black
Marker Mat	OFF, 1-6
Thickness	1-7



ITEMS	OPTIONS
Language	English /Chinese
PIP	Small, Medium, Large, PBP, POP In small, medium and large interface can adjust the source, position, and swap; In PBP and POP interface can adjust the source and swap.
SDI	ON/ OFF
Input Format OSD	5s, 10s, 15s
LOGO	ON/ OFF
Freeze Input	ON/ OFF
Image Flip	H / V / H&V
*Wave/Vector	Y / Vector / R / G / B / Cb / Cr / OFF
* Waveform Trans	ON/ OFF
* Waveform Size	Small / Large
* Level Meter	Manual/Auto
Manufacturer Default	OK/Cancel(Reverse the SAT / ADJ knob to select "OK")
ISP	For program upgrades (Please reboot your computer if press accidentally!)



Function of buttons and knobs can be customized by users' needs.

Functions of F1-F4 buttons can also be customized: Center Marker, Screen Marker, Check Field, Color Bar, Camera, PIP, Image Flip, Zoom, Pixel-to-Pixel, Freeze Input, Underscan, H/V delay

* Peaking, False Color, Exposure, Histogram, Level Meter and Wave/Vector.

Functions of R1-R4 buttons can also be customized: Contrast, Brightness, Saturation, Tint, Volume, Sharpness and Back Light.

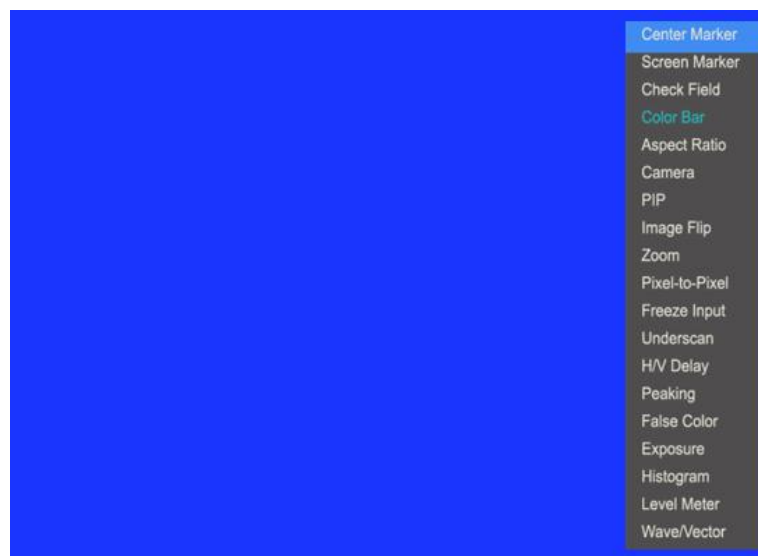
F1-F4 or R1-R4 shortcut key steps:

1. Press BRI/MENU knob to pop up the menu;
2. Rotating SAT knob, select the **F** option;
3. Rotating BRI / MENU knob, select option needs to set for the F1-F4 or R1 - R4;
4. Right rotating the SAT knob to the next menu options;
5. Rotating BRI / MENU knob to select the option to be set, then turn the SAT knob right to confirm the option as default;
6. Finally, press the BRI / MENU knob to exit the menu.

Long keep press any F1-F4 button to pop-up shortcut menu when screen without a menu. As follows (item selected default as blue font):

Option can be selected by rotating BRI / MENU knob.

Finally, right turn the SAT knob to set the option as default.



ACCESSORIES:

Standard Accessories:



- | | |
|---|------------------------------|
| 1. Sun Shade Cover | 1 Piece |
| 2. Gimbal bracket | 1 Piece |
| 3. Battery Plate (F-970/QM91D/DU21/LP-E6) | 2 Pieces (Choose 2 out of 4) |
| 4. HDMI A/C cable | 1 Piece |
| 5. Power & TALLY cable | 1 Piece |
| 6. Shoe Mount (for camera only) | 1 Piece |
| 7. 12V DC adapter | 1 Piece |
| 8. Suitcase | 1 Piece |
| 9. Adaptor Panel | 1 Piece |
| 10. Manual | 1 Copy |

Optional Accessories



- | | |
|------------------------------------|---------|
| 1. Anton Bauer Mount Battery Plate | 1 Piece |
| 2. V-mount Battery Plate | 1 Piece |
| 3. Li-ion Battery | 1 Piece |

PARAMETERS:

Panel Size	7” LED backlit
Resolution	1280×800
Brightness	350cd/m ²
Contrast	800:1
Viewing Angle	178°/ 178°(H/V)
Input Voltage	DC12V (XLR DC Connection)
Input Signal	HDMI, YPbPr, AV and 3G-SDI (optional),
Current	900mA
Power Consumption	≤11W
Size:(LWD)	191.5×152×31mm/141mm (with cover)
Weight	760g / 938g (with cover) / 2160g (with suitcase)

TROUBLE SHOOTING

1. Only black-and-white display:

Check whether the color saturation is properly setup.


2. Power on but no pictures:

Check whether the cables of Video, HDMI, YPbPr and SDI are correctly connected. Please use the standard power adapter coming with the product package. Improper power input may cause the device.


3. Wrong or abnormal colors:

Check whether the cables are correctly and properly connected. Broken or loose pins of the cables may cause a bad connection.

4. When on the picture shows size error:

Press “BRI/MENU” →  → “Underscan” to zoom in/out pictures automatically
When receiving HDMI signals.

5. Other problems:

Please press “BRI/MENU” button and choose “  → “Manufacturer Default →OK”

6. According to the ISP, the machine can not function properly:

ISP for program upgrades, non-professionals do not use. Please reboot your computer if press accidentally!

* It is normal to see some bright lines appear on the screen when turn off the device.

Note: due to constant effort to improve products and product features, specifications may change without notice.

